

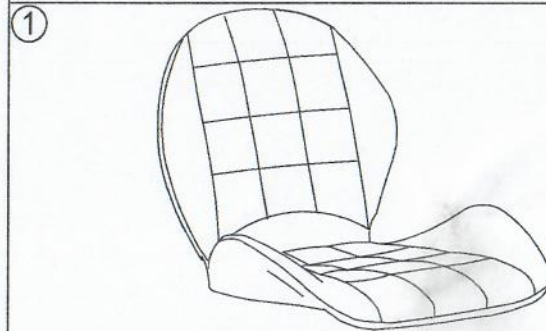
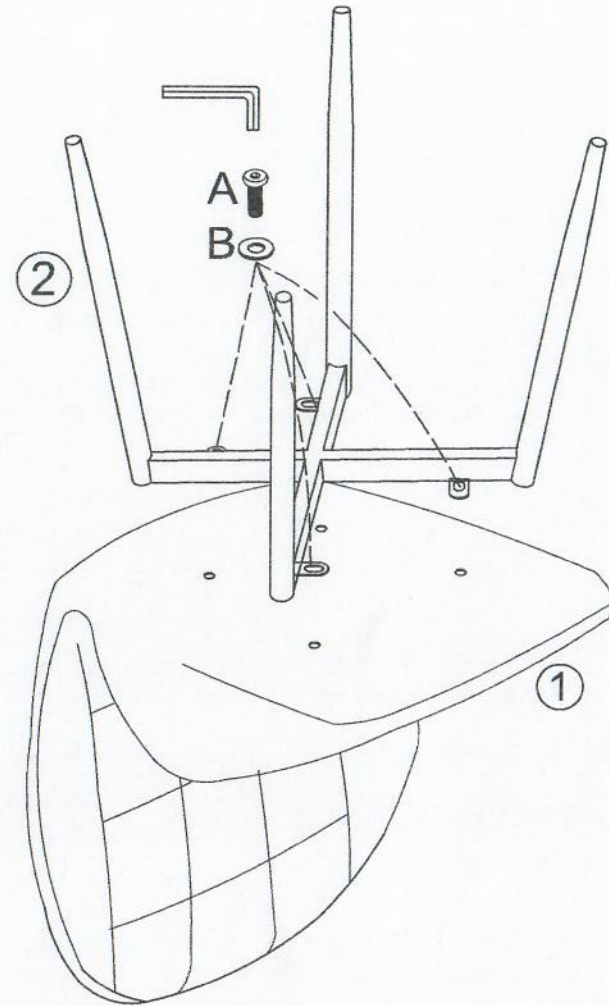


# 1

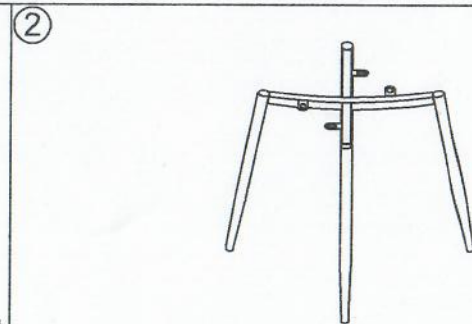
A		x4
B		x4



UDC5172



X1



X1

UCLH-PRG 06'2'19